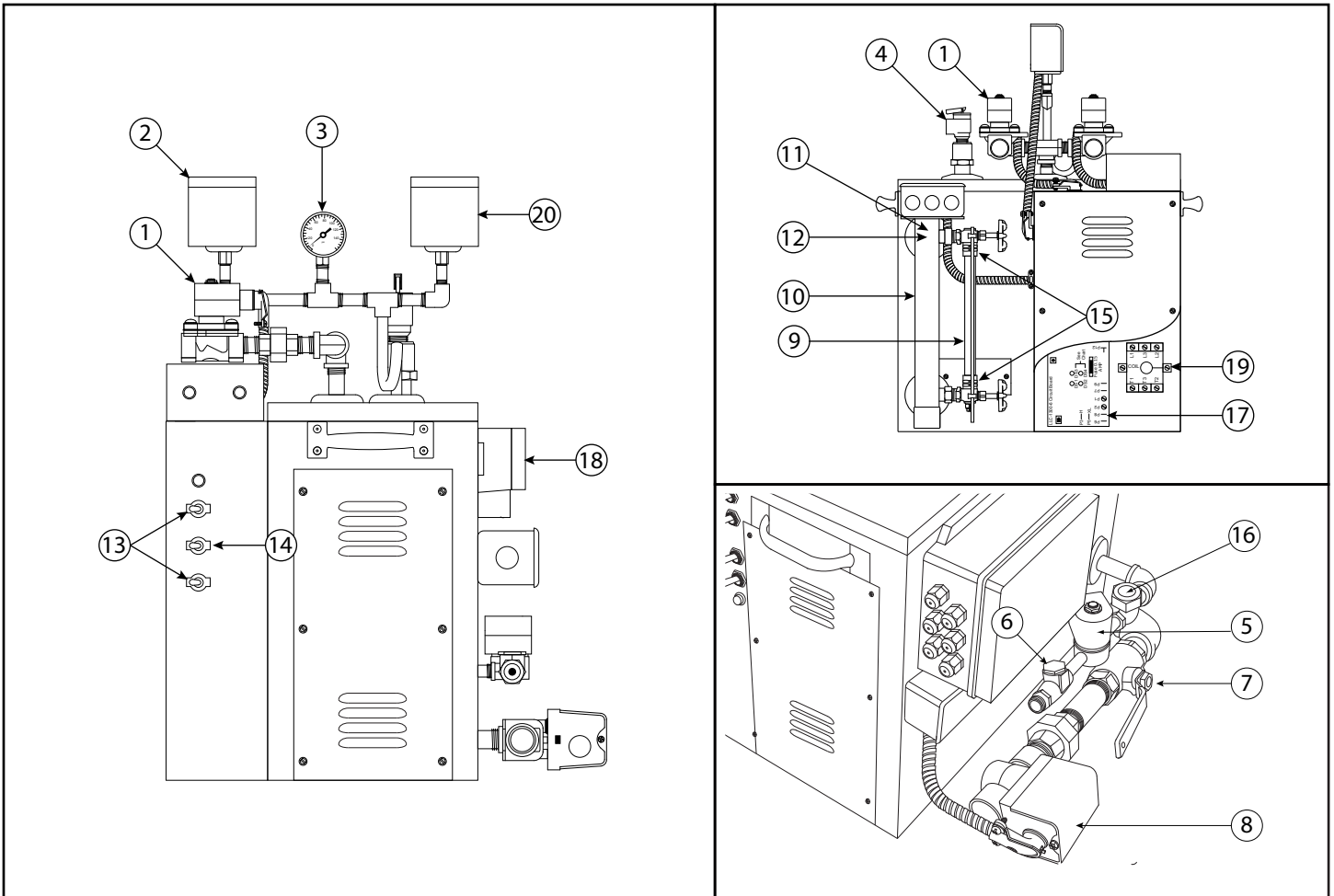


Models: HC-9 thru HC-18

<u>Item No.</u>	<u>Part No.</u>	<u>Part Description</u>	<u>List Price</u>
1	007-1103	Steam Solenoid 1/2" 208/240V	\$263.00
2	007-1115	Honeywell Pressuretrol	\$181.00
3	007-1128	Pressure Gauge 0-30lbs	\$22.00
4	007-1215	Safety Relief Valve - 15psi	\$72.00
5	007-1116	Water Solenoid 1/4" 208/240V	\$200.00
6	007-1208	Watts Strainer - 1/4"	\$113.00
7	007-1205	Drain Valve - Manual 1/2" (When not equipped with Blowdown)	\$40.00
7a	007-1226	Drain Valve - Manual 1" (When equipped with Blowdown)	\$77.00
8	007-1161	Drain Valve - Motorized 1" (ABD - 240/480V)	\$316.00
	007-1186	Drain Valve - Motorized 1" (ABD - 208V)	\$316.00
9	007-1219	Glass Sight Tube - 9 1/4"	\$17.00
10	006-6356	Water Level Probe Housing Assy. (includes item #11 & #12)	\$478.00
11	006-6357	Probe - XL Rod - (Only for 006-6356)	\$46.00
12	006-6358	Probe - H Rod - (only for 006-6356)	\$46.00
13	007-1096	On/Off Switch - Start , Water	\$14.50
14	007-1094	On/Off Switch - Steam	\$14.50
15	007-1212	Water Gauge Fixture Assembly (includes all hardware, less glass tube)	\$72.00
16	007-1192	Check Valve - 1/4" Spring	\$72.00
17	007-5090	LLC-1300-6 Printed Circuit Board (Serial Number - E-24934 D.O.M. 3/90+)	\$240.00
18	007-1090	24-hr/7-day Programmable clock	\$316.00
20	68008-KIT	HC-PCMR Aux Press. Control with manual reset	\$325.00
	007-1023	Transformer, Multitap, .25kVA (480V)	\$285.00
	007-4116	Repair Kit - Steam Solenoid	\$131.00
	007-6420	Contact Snubber	\$9.00
	007-6357	Fuse - 0.15 Amp, 250v, slow-blow (Mounted on PCB)	\$7.00
	007-1013	Fuse - 5 amp (cabinet mounted for control circuitry)	\$7.00

\* Prices are subject to change without notice



20	<u>Part No.</u>	<u>Part Description</u>	<u>List Price</u>	21	
				<u>Contactors</u>	<u>List Price</u>
	AHE-0016/1	Heating Element 9kw 208V 1PH	<b>\$263.00</b>	007-1307	<b>\$116.00</b>
	AHE-0016/1A	Heating Element 9kw 208V 3PH	<b>\$263.00</b>	007-1301	<b>\$119.00</b>
	AHE-0016/2	Heating Element 9kw 240V 1PH	<b>\$263.00</b>	007-1307	<b>\$116.00</b>
	AHE-0016/2A	Heating Element 9kw 240V 3PH	<b>\$263.00</b>	007-1301	<b>\$119.00</b>
	AHE-0016/3A	Heating Element 9kw 480V 3PH	<b>\$263.00</b>	007-1301	<b>\$119.00</b>
	AHE-0017/1	Heating Element 12kw 208V 1PH	<b>\$300.00</b>	007-1310	<b>\$164.00</b>
	AHE-0017/1A	Heating Element 12kw 208V 3PH	<b>\$300.00</b>	007-1301	<b>\$119.00</b>
	AHE-0017/2	Heating Element 12kw 240V 1PH	<b>\$300.00</b>	007-1310	<b>\$164.00</b>
	AHE-0017/2A	Heating Element 12kw 240V 3PH	<b>\$300.00</b>	007-1301	<b>\$119.00</b>
	AHE-0017/3A	Heating Element 12kw 480V 3PH	<b>\$300.00</b>	007-1301	<b>\$119.00</b>
	AHE-0018/1	Heating Element 15kw 208V 1PH	<b>\$336.00</b>	007-1310	<b>\$164.00</b>
	AHE-0018/1A	Heating Element 15kw 208V 3PH	<b>\$336.00</b>	007-1301	<b>\$119.00</b>
	AHE-0018/2	Heating Element 15kw 240V 1PH	<b>\$336.00</b>	007-1310	<b>\$164.00</b>
	AHE-0018/2A	Heating Element 15kw 240V 3PH	<b>\$336.00</b>	007-1301	<b>\$119.00</b>
	AHE-0018/3A	Heating Element 15kw 480V 3PH	<b>\$336.00</b>	007-1301	<b>\$119.00</b>
	AHE-0019/1	Heating Element 18kw 208V 1PH	<b>\$365.00</b>	007-1310	<b>\$164.00</b>
	AHE-0019/1A	Heating Element 18kw 208V 3PH	<b>\$365.00</b>	007-1301	<b>\$119.00</b>
	AHE-0019/2	Heating Element 18kw 240V 1PH	<b>\$365.00</b>	007-1310	<b>\$164.00</b>
	AHE-0019/2A	Heating Element 18kw 240V 3PH	<b>\$365.00</b>	007-1301	<b>\$119.00</b>
	AHE-0019/3A	Heating Element 18kw 480V 3PH	<b>\$365.00</b>	007-1301	<b>\$119.00</b>
	006-4202	Heating Element Gasket	<b>\$24.00</b>		
	AHE-0023	Heating Element Bolts (Set of 6 with washers)	<b>\$9.00</b>		

## CP-1 Control Parts

<u>Item No.</u>	<u>Part No.</u>	<u>Part Description</u>	<u>List Price</u>
40	007-1189	Sensor Assembly	\$62.00
41	006-3190	Sensor Cover - Chrome	\$21.00
42	007-5103	Sensor Assembly w/cover	\$81.00
43	007-1041	Potentiometer - Temp Controller	\$31.00
44	006-4304	ST-200C Face Plate - Chrome	\$19.00
45	007-6911	ST-200C Knob - Black	\$11.00
46	007-4107	ST-200C Control Board 240V (Serial Number - E-24934 D.O.M. 3/90+)	\$240.00
	007-1041K	Items 43,44 & 45 packaged together as a kit	\$61.00

