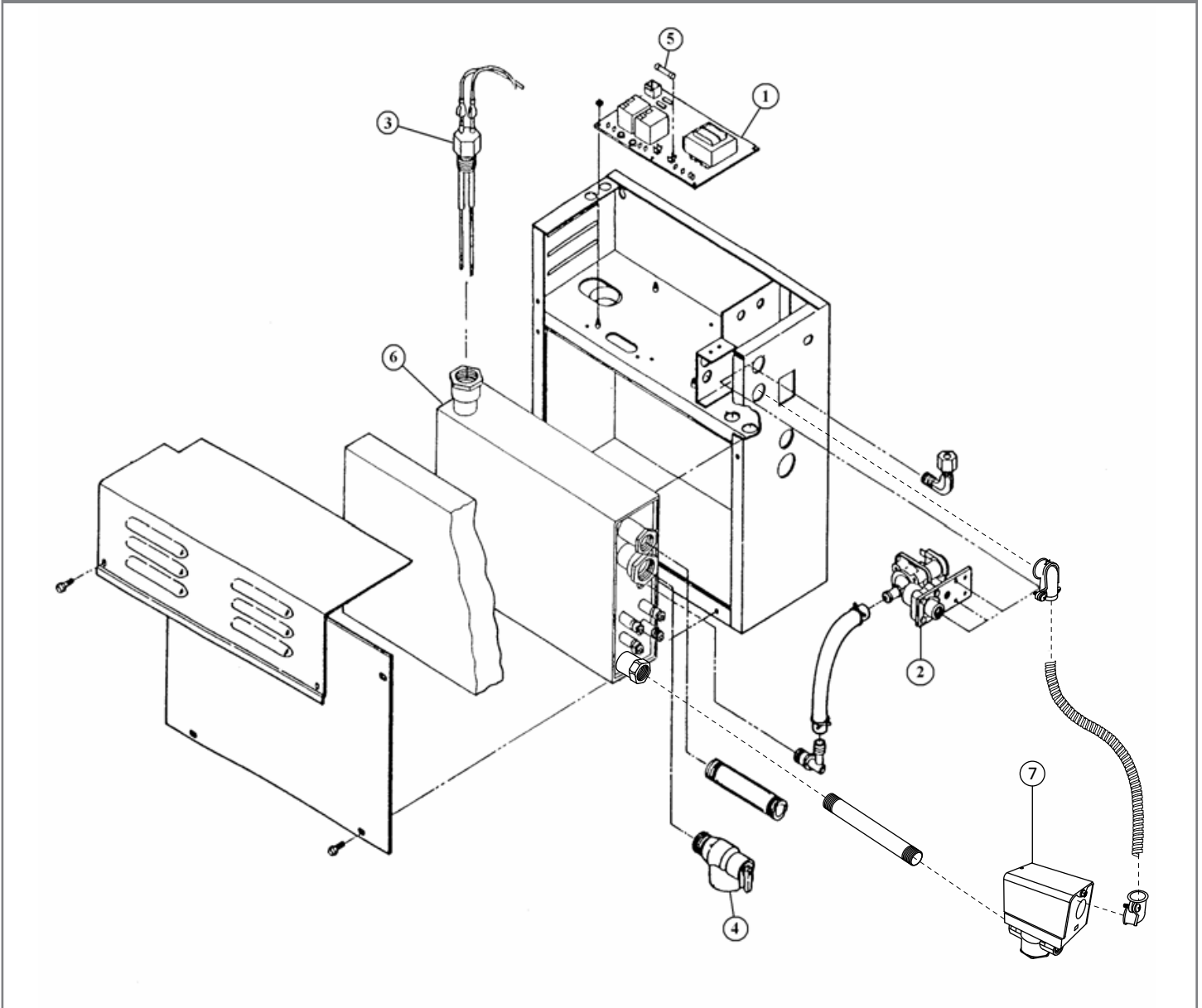


Models: DSM-5, DSM-7 & DSM-8

<u>Item No.</u>	<u>Part No.</u>	<u>Part Description</u>	<u>List Price</u>
1	007-5169	LLC-1300-3 Printed Circuit Board	\$233.00
2	007-1060B	Water Solenoid 3/8"	\$56.00
3	007-1164	Probe Assembly	\$39.00
4	007-1211	Safety Valve – 8lbs.	\$60.00
5	007-6357	Fuse - 0.15 Amp (Mounted on PCB)	\$6.00
6	006-2010/2B	Tank & Element Assembly - DSM-5 240V	\$442.00
	006-2010/1B	Tank & Element Assembly - DSM-5 208V	\$442.00
	006-2030/2B	Tank & Element Assembly - DSM-7 240V	\$478.00
	006-2030/1B	Tank & Element Assembly - DSM-7 208V	\$478.00
	006-2045/2A	Tank & Element Assembly - DSM-8 240V	\$539.00
	006-2045/1A	Tank & Element Assembly - DSM-8 208V	\$539.00
7	007-1197	Auto Drain 240V	\$355.00
	007-1185	Auto Drain 208V	\$355.00

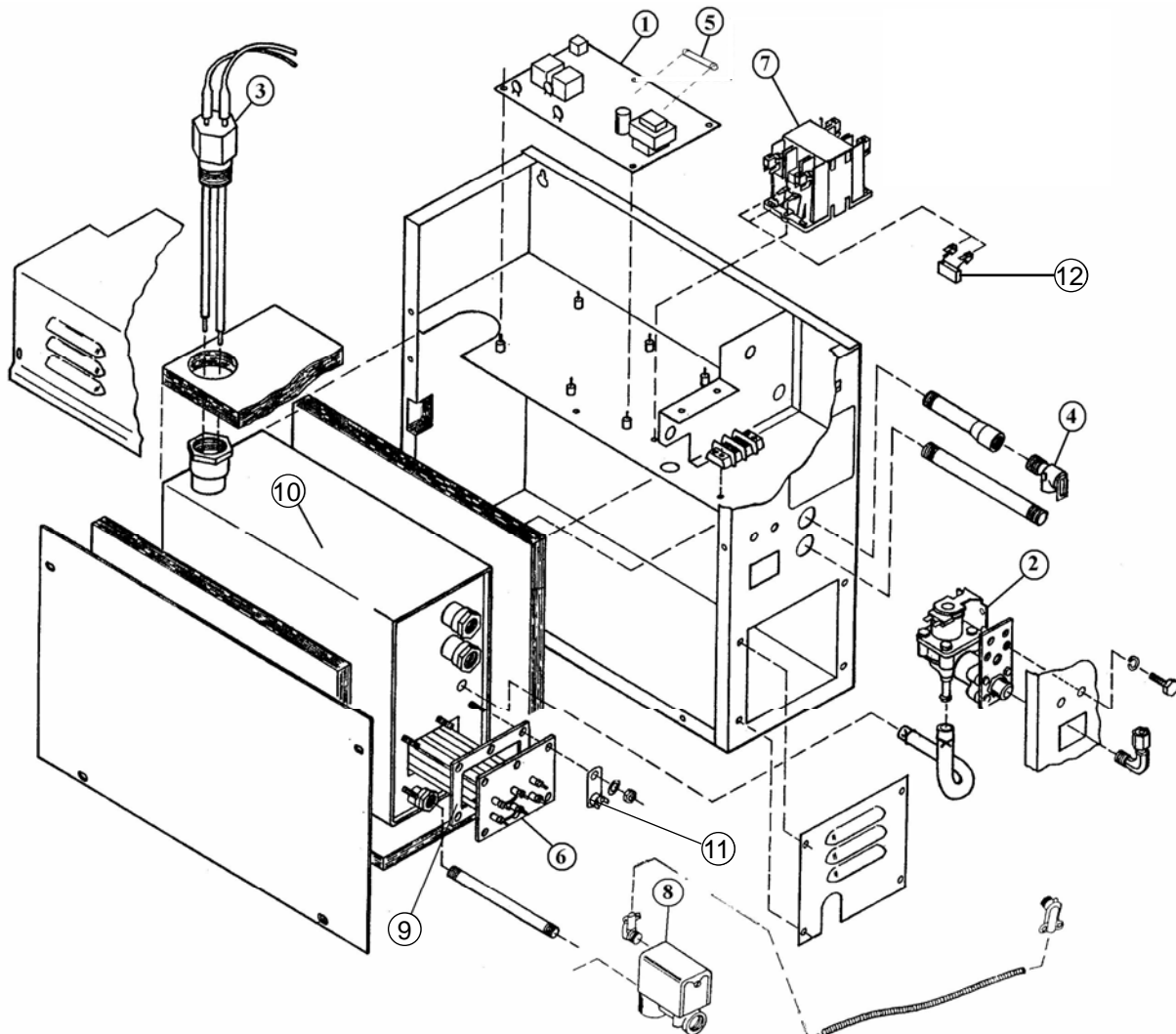
## DSM-12 & DSM-15 Steam Generators



Model: DSM-11

<b>Item No.</b>	<b>Part No.</b>	<b>Part Description</b>	<b>List Price</b>
1	007-5169	LLC-1300-3 Printed Circuit Board	\$233.00
2	007-1060B	Water Solenoid 3/8"	\$56.00
3	007-5369	Probe Assembly	\$39.00
4	007-1211	Safety Valve - 8lbs	\$60.00
5	007-6357	Fuse - 0.15 Amp (Mounted on PCB)	\$6.00
6	006-5120-15	SM-11 Heating Element 11kW 240V 1PH	\$275.00
	006-5120-11	SM-11 Heating Element 11kW 208V 1PH	\$275.00
	006-5120-16	SM-11 Heating Element 11kW 240V 3PH	\$275.00
	006-5120-12	SM-11 Heating Element 11kW 208V 3PH	\$275.00
7	007-1307	2-Pole 40/50 Amp (SM-11 208V1PH)	\$113.00
	007-1301	3-Pole 40/50 Amp (SM-11 3PH)	\$116.00
8	007-1197	Auto-Drain - 240V	\$355.00
	007-1185	Auto-Drain - 208V	\$355.00
9	006-9102	Heating Element Gasket	\$20.00
10	006-9108	MR/SS Tank (ONLY)	\$447.00
11	007-4120	Drain Down Thermostat	\$32.00
12	007-6420	Contactors Snubber	\$8.00
	006-6088	Telco Splitter 6 Cond. (Supplied With Systems)	\$17.00
	007-5158	25' Multi-Conductor Cable (Supplied With Systems)	\$35.00

## DSM-12 & DSM-15 Steam Generators



Models: DSM-12 & DSM-15

<u>Item No.</u>	<u>Part No.</u>	<u>Part Description</u>	<u>List Price</u>
1	007-5169	LLC-1300-3 Printed Circuit Board	\$233.00
2	007-6357	Fuse - 0.15 Amp (Mounted on PCB)	\$6.00
3	007-6420	Contacting Snubber	\$8.00
4	007-1310	4-Pole 40/50 Amp contactor (SM-12&15 1PH)	\$159.00
	007-1301	3-Pole 40/50 Amp contactor (SM-12&15 3PH)	\$116.00
5	007-1271	Fuse, 40 Amp, 250V, Class H or K5 (SM-12)	\$7.00
	007-1012	Fuse, 50 Amp, 250V, Class H or K5 (SM-15)	\$7.00
6	007-1269	Fuse Block, 4 Fuse 2 Pole, up to 60A	\$77.00
7	007-1197	Auto-Drain 240V	\$355.00
	007-1185	Auto-Drain 208V	\$355.00
8	006-5106	DSM-12 Heating Element 12kW 240V 1PH	\$292.00
	006-5104	DSM-12 Heating Element 12kW 208V 1PH	\$292.00
	006-5107	DSM-12 Heating Element 12kW 240V 3PH	\$292.00
	006-5105	DSM-12 Heating Element 12kW 208V 3PH	\$292.00
	006-5110	DSM-15 Heating Element 15kW 240V 1PH	\$327.00
	006-5108	DSM-15 Heating Element 15kW 208V 1PH	\$327.00
	006-5111	DSM-15 Heating Element 15kW 240V 3PH	\$327.00
	006-5109	DSM-15 Heating Element 15kW 208V 3PH	\$327.00
9	007-1060B	Water Solenoid Valve 3/8"	\$56.00
10	007-1211	Safety Relief Valve 8lbs.	\$60.00
11	006-2115	LR/SS Tank (ONLY)	\$447.00
12	007-5368	Probe Assembly	\$81.00
	006-6088	Telco Splitter 6 Conductor (Supplied with Systems)	\$17.00
	007-5158	25' Multi-Conductor Cable (Supplied with Systems)	\$35.00
	007-4120	Drain Down Thermostat	\$32.00

### DSM-12 & DSM-15 Steam Generators

